

## Inside

- ❖ Fly of the Month: Green River Recap 2026
- ❖ Club Trips for 2026
- ❖ Three Month Calendar

## Highlights

- Page 3: May Speaker: Jennifer Hemmert, CDFW
- Page 6: Awards & Installation Luncheon
- Page 7: Fly Casting Skills Development Facilitator Training

# Target Talk

NEWSLETTER OF THE LONG BEACH CASTING CLUB, ESTABLISHED 1925

MAY 2026

[WWW.LONGBEACHCASTINGCLUB.NET](http://WWW.LONGBEACHCASTINGCLUB.NET)

## Leader's Line...

# Honored by the Opportunity to Lead our Long Beach Casting Club

TONY DAUS, PRESIDENT

**I** am honored to be the new president of the Long Beach Casting Club. It is not understatement to say that I stand on the shoulders of many great past presidents, and I hope that I can contribute to the success of the Club.

I was raised outside of St. Louis, Missouri, and taught myself to fly fish with a Pflueger Medalist reel and an Eagle Claw fiberglass fly rod from the local hardware store. I was hooked on the sport when I saw **Curt Gowdy** on **THE AMERICAN SPORTSMAN**, probably fishing with **Joe Brooks** on the Henry's Fork or some other exotic location (most everywhere was exotic from St. Louis).

Watching fish attack a popping bug became an addiction. That addiction became irreversible when I spent the summer of 1980 in the Wind River mountains in Wyoming, fly fishing every afternoon after field work.

After finishing college in 1983, my wife Carol and I moved to San Francisco and lived within walking

distance of the Golden Gate Angling and Casting Club. We moved to southern California in the late 1980s and I focused on work and raising kids, fly fishing whenever I got the chance. I have been very



fortunate to meet and learn from many great fly fishermen over the years. Many of those fly fishermen are here at LBCC.

As the new president I hope to get your input and any suggestions you may have to make the Club even stronger.

We have a fantastic group of engaged volunteers that can do about anything if we set our minds to it. I plan to continue to listen and learn from many of you, and look forward to making a positive contribution as we enter the next 100 years.

# Club Trips for 2026

ANDREW FAIRBANKS, 2<sup>ND</sup> VICE PRESIDENT

TRIP DATE	TRIP & LEADER
April 26–May 1	Green River Trip #1 w/ Andrew Fairbanks.
May 3–8	Green River Trip #2 w/ Colin Kumabe.
May 26–30	Fall River Trip w/M. Bonvouloir. Pre-Trip May 16, 9:00 am.
May 29–June 1	Heritage Trout Eagle Lake & Wolf Creek w/ Bob Mayfield.
June 12–14	Heritage Trout Fish Creek & Clicks Creek w/ Bob Mayfield.
July 10–12	Brookie Bash 2026 w/ Armando Palomares, Pre-Trip TBD.
July 10	Tenkara Event at Brookie Bash w/ Cecil O'Dell.
Aug 15	Yards and Inches w/Mick Woodbury, Pre-Trip TBD.
Sept 30-Oct 4	Crowley Lake trip w/ Steve Timm. Pre-trip Sept 19, 9:00am

**T**rip locations, dates and pre-trips change, so monitor Target Talk or the web calendar for the latest information. Deposits for trips which are "double occupancy", and require deposits in advance, are non-refundable. If you cancel, your deposit will only be refunded if a Club member replaces you.

If you would like to be a streamkeeper and need help organizing a Club trip, or if you have suggestions for a Club trip or any questions, please email me at: [andrewfairbanks7@gmail.com](mailto:andrewfairbanks7@gmail.com)



# OFFICERS

**PRESIDENT**

TONY DAUS

**1<sup>ST</sup> VICE PRESIDENT**

TAE KIM

**2<sup>ND</sup> VICE PRESIDENT**

ANDREW FAIRBANKS

**CO-CAPTAINS**

MARK KOCSIS  
KEITH O'DONNELL

**MEMBERSHIP SECRETARY**

TONY DYCKS

**TREASURER**

ED ALVARADO

**RECORDING SECRETARY**

RICK MORI

**FACILITIES DIRECTOR**

PETER HARDASH

**SENIOR DIRECTOR**

BOB MAYFIELD

**JUNIOR DIRECTOR**

TOM OLSON



**TARGET TALK EDITOR**

ROB PETERSON

# May Speaker: Jennifer Hemmert, CDFW

## Ca. Heritage & Wild Trout

TAE KIM, 1<sup>ST</sup> VICE PRESIDENT

Jen Hemmert is a Wild Trout Biologist for California Department of Fish and Wildlife (CDFW), and part of their Heritage and Wild Trout Program (HWTP). She works on projects to manage trout populations and evaluate stream and creek habitats in Riverside and San Bernardino Counties. She has also managed reservoir fisheries in the area, and has worked on projects on the Colorado River, within lakes of Mono and Inyo counties, and throughout the state.

Jen has monitored mountain meadows, conducted water quality programs, snorkeled streams, electrofished lakes and streams, surveyed for benthic macroinvertebrates and worked with hundreds of volunteers. She has a B.S. in Zoology, with a focus on Freshwater Ichthyology, from Ohio State.

Her presentation will describe:

- ❖ Surveys and waters to fish for trout in San Bernardino and Riverside Counties.
- ❖ Native rainbow trout in the San Bernardino and Cleveland National Forests.
- ❖ Ways you can get involved with the Heritage and Wild Trout Program (HWTP) as volunteers.
- ❖ CDFW's website fisheries resources and HWTP's Heritage Trout Challenge.

**Join us on Thursday, May 28, 2026 at 7:00 pm, at the Clubhouse or on Zoom.**

### JOIN ZOOM MEETING

<https://us06web.zoom.us/j/83669934348?pwd=8gThLw1P819IMcNatX6JphUwU3Vs8m.1>

Meeting ID: 836 6993 4348

Passcode: 449069



## This Just in...

ROB PETERSON, TARGET TALK EDITOR

Our friend and past president Tom Olson has just won the Masters Division at Spey-O-Rama, in beautiful Golden Gate Park. What a way to cap off his tenure as president of the Long Beach Casting Club. Congratulations, Tom; well done!

Tom Olson								Casey	
		Left Side		Right Side				Sunday	
		Left Snake	Right Single	Left Single	Right Snake	Total	Longest	Jimmy Gr	
Cast	Best	145	124	131	140	540	145	Ap	
1			124					1	Victo
2					137			2	Bruce
3		114						3	Ken S
4				118				4	Agust
5			118					5	Matt
6		145						6	Steve
7			75					7	Jeon
8					140			8	Glen
9		0						9	Ed Fil
10				131				10	Tom
11				112				11	Thom
12					131				
Unused		0	0	0	0				

Leaderboard							
		Left Side		Right Side			
Leaders		Left Snake	Right Single	Left Single	Right Snake	Total	Longest
Tom Olson		145	124	131	140	540	145
Jeon Lee		124	118	151	143	536	151
Glen Nagumo		125	130	140	138	533	140
Agustin Avellaneda		122	149	139	123	533	149
Ed Fillice		119	128	139	143	529	143
Victor Yee		111	143	132	142	528	143
Matt Abrams		111	144	144	121	520	144
Thom Thornton		135	112	115	147	509	147
Bruce Kruk		105	131	141	126	503	141
Steve Lankeau		88	116	130	140	474	140
Ken Sandstrom		93	119	110	122	444	122

# Fly Tying Forum: This Month's Schedule

MATT MURDOUGH, MEMBER

Welcome to the May edition of the Tying Forum; time to stock up those boxes for your next trip to the Sierras or the local bay!



Matt Murdough starts us off with a class requested by a Forum member on understanding hackle. In this session we will look at rooster hackles and their evolution and applications, from the original Indian and Chinese necks to the Catskill-era American capes, Coq de Leon and the development of the Hoffman "Super Grizzly", Metz and Whiting genetic rooster lines. We'll also discuss the differences between rooster saddles and capes, and which may work best for your budget and tying needs. To understand how hackle has evolved in the last 50 years, we'll tie two versions of Art Flick's Red Quill, one using an Indian Neck for the hackle and tail and one using a genetic Whiting neck or saddle and a Coq de Leon tail.



Mike Sweeney is up next to tie a killer pattern for Lake Crowley: the Red-Throat Olive Matuka. Coming to America by way of New Zealand, the Matuka is a great choice for big trout looking for something more filling than a size 24 BWO!



After an open tying night, we'll switch from trout streams to saltwater. Kevin Green will show us the Red Crab pattern he demonstrated at this April's Fly Buy event.

Anyone is welcome to join our regular sessions at 7:00 pm every Wednesday, regardless of tying experience. If you would like to join us, please email Shirley Sakaguchi ([sakagusc@gmail.com](mailto:sakagusc@gmail.com)) so that you can be added to the Forum email list. Shirley sends out pattern sheets for the flies covered in the coming month, and Matt Murdough will provide materials for anyone in the class who needs them.

Anyone interested in leading a tying session should reach out to Matt ([mmroaringbrook@gmail.com](mailto:mmroaringbrook@gmail.com)) to get on the schedule. If you have a pattern you want to learn, please let us know; we likely have someone in the Club who can demonstrate it for us. Looking forward to seeing some new faces at the Forum!

DATE	GENRE: PATTERN	INSTRUCTOR
5/06/26	Dry Fly Hackle Art Flick's Red Quill	Matt Murdough
5/13/26	Streamers: Red-Throat Olive Matuka	Mike Sweeney
5/20/26	Open Tying Night	
5/27/26	Saltwater Patterns: Red Crab	Kevin Green

# In the Meantime...

JOHN VAN DERHOOF; PAST PREZ

In case you have forgotten, we still have a lot of rods and some reels for sale. I know I have been concentrating on other things the last couple of months, but now it's time to start thinking about selling more of what we have. In the near future I will be bringing lines and tips to the Club for members to purchase. I will also update the list of available rods to be purchased.



Until then, however...here's currently what we have at the Club right now for sale. The reels listed are the last of the reels—no more, period! Check, cash or, if Tom O. or Ed A. are there, credit.

**RODS:**

MAKE/MODEL	PRICE	QTY
Anderson Custom – 13'3"; 7wt	\$600	1
Echo E3 – 12'7"; 6wt	\$120	1
Echo Trout Spey – 11'0"; 4wt	\$210	1
Meiser MKS - 13'6"; 7/8wt	\$596	1
Orvis Clearwater - 11'4"; 3wt	\$180	1
Orvis Mission – 11'4"; 4wt	\$400	1
Sage Igniter 6126 – 12'6"; 6wt	\$260	1
Sage One 3110 – 11'0"; 3wt	\$320	1
Sage One 4116 – 11'6"; 4wt	\$320	1
Sage One 790 – 9'0"; 7wt	\$360	1
Sage One 8136 – 13'6"; 8wt	\$360	1
Sage X 7130 – 13'0"; 7wt	\$380	2
Sage Z-Axis 908 – 9'0"; 8wt	\$160	1

**REELS:**

MAKE/MODEL	PRICE	QTY
Hatch 7 Monsoon	\$240	2
Hatch 9 Pulse	\$300	4
Hatch 9 Finatic	\$320	7
Redington Behemoth 7/8	\$80	1



## Long Beach Casting Club New Members

SHAWN FIFE, MEMBERSHIP SECRETARY

The Board of Directors approved these new members at the last Board meeting:

- ❖ Greg Bencivenga of Vancouver, Washington
- ❖ Joel Herrera of Auburn
- ❖ Matthew Baca of Garden Grove
- ❖ Jamie Burrows of Torrance
- ❖ Michael Ross of Alta Loma
- ❖ Dudley Harmer of Palos Verdes Peninsula
- ❖ Larry Behm of Laguna Hills
- ❖ Kingshuk Mukherjee of Riverside
- ❖ Peter Grimmitt of Los Angeles
- ❖ Mari Crosbie of Anaheim
- ❖ Elizabeth Brandlin of Long Beach
- ❖ Tom Barro of Westminster

Please greet and welcome all of our new members at the Club's monthly meetings. Here's wishing them a lifetime of healthy hatches and tight lines.

**Members: if you see visitors at Club meetings, let's make them feel welcome and inform them of the activities we have to offer!**

# California Heritage Trout Challenge

*Challenging all Anglers, Young and Old!*

BOB MAYFIELD, PAST PRESIDENT

You may have heard of the California Heritage Trout Challenge (CA HTC) but didn't know how to start it. Long Beach Casting Club had a Heritage Trout outing to the San Gabriel River in early February, and another outing to the Kern River in March, in search of the Kern River rainbow trout.

We have more flyfishing outings planned for the first half of 2026. Join us; it will be a great way to start off the new year.

- ❖ **Eagle Lake Rainbow Trout:** May 29–31, Eagle Lake (Above Susanville). You'll need a float tube or kayak. Drive up to Eagle Lake May 29, fish 30<sup>th</sup> and 1/2 day 31<sup>st</sup>, then off to Walker River.
- ❖ **Lahontan Cutthroat Trout:** May 31 to June 1. We'll fish Wolf Creek above the Marine Corps Mountain Training Center. We'll camp or stay in a hotel the night of 31<sup>st</sup>. Then we will fish Wolf Creek the 31<sup>st</sup>, and the 1<sup>st</sup> if necessary.
- ❖ **California Golden Trout:** June 12-13, Fish Creek. Walk and wade; fish Friday afternoon and Saturday morning, then Clicks Creek. If Sherman Pass is not open, we'll go the long way around.
- ❖ **Little Kern Golden Trout:** June 13-14, Clicks Creek. Hike in to Clicks Creek.

**OTHER HERITAGE TROUT:**

- ❖ **McCloud River Redband**
- ❖ **Goose Lake Redband Trout**
- ❖ **Warner Lakes Redband**
- ❖ **Coastal Cutthroat Trout**
- ❖ **Paiute Cutthroat Trout**

## Date and Time Change: Awards & Installation Meeting and Luncheon

*Sunday, April 26, Noon*

Due to some scheduling conflicts, the **Awards and Installation Ceremony** for our newly elected Board of Directors will be on Sunday, April 26.

**12:00-1:00 PM:** lunch **with online reservation only**. Click the link to register by Thursday, 4/23/26: [RSVP 2026 Awards & Installation Luncheon Sunday 4/26](#).

**1:00PM-2:00 PM:** we'll begin the event by handing out our **Bronze, Silver and Gold Casting Certificates** to recipients who have earned these levels of casting.

Then we'll introduce our **2026-2027 Board of Directors**, elected at our Annual General Meeting on Thursday, April 9. Our new Board will take the LBCC Oath to serve for the coming year.

<b>President</b>	<b>Tony Daus</b>
<b>1st Vice President</b>	<b>Tae Kim</b>
<b>2nd Vice President</b>	<b>Andrew Fairbanks</b>
<b>Treasurer</b>	<b>Ed Alvarado</b>
<b>Membership Secretary</b>	<b>Tony Dycks</b>
<b>Co-Captains</b>	<b>Mark Kocsis/ Keith O'Donnell</b>
<b>Recording Secretary</b>	<b>Rick Mori</b>
<b>Facilities Director</b>	<b>Peter Hardash</b>
<b>Junior Director</b>	<b>Tom Olson</b>
<b>Senior Director</b>	<b>Bob Mayfield</b>

We look forward to seeing you there.

# Free Online FCSD Facilitator Training Classes

WILLY GEORGE, FFI CASTING EDUCATION CHAIR

- ❖ 90-minute all-inclusive training class
- ❖ Choose from two remaining sessions.
- ❖ All FFI council or club volunteers, along with any FFI members who want to facilitate FCSD events are welcome to participate.
- ❖ Council and club presidents should forward this invitation to anyone in their organization who could help roll out or expand their organization's FCSD activities

You may have heard that “FCSD is **FUN!**” But what exactly is FCSD?

The **FFI Fly Casting Skills Development (FCSD)** program is a fun and supportive way to improve casting skills at the angler's own pace. Skills are organized into four progressive levels: Foundation, Bronze, Silver and Gold, with each level building on the previous one, moving from essential fundamentals to more advanced techniques.

Every skill learned applies directly to fishing. Participants develop the ability to deliver a tight, efficient loop exactly where it needs to go, gain confidence casting in a variety of wind directions and improve their presentation and distance techniques, all leading to greater success on the water.

FFI councils and clubs are increasingly recognizing the value of hosting stand-alone FCSD events or incorporating FCSD into existing activities such as their club meetings. The FCSD Team has been contacted by many FFI councils and clubs requesting FCSD facilitator training via Zoom, and the time has come to offer it.

This year, two 90-minute online FCSD facilitator training sessions remain. These sessions are designed

for those interested in starting an FCSD event for the first time, as well as for those already hosting FCSD activities who would like additional management strategies, proven tips for success and a chance to ask questions based on their experiences.

A key goal of the FCSD program is to keep the assessment process engaging, encouraging and efficient, helping participants progress through the casting levels, and making thoughtful use of our volunteer time.

The online FCSD Facilitator training will cover:

- ❖ Timelines for organizing an FCSD event
- ❖ Field and course setup including equipment suggestions
- ❖ Typical process for casting through a set of skills, e.g., Bronze skill level
- ❖ Volunteer assignments and key management concepts
- ❖ Handling potentially challenging situations
- ❖ Language to use and language to avoid
- ❖ Support materials available on the FFI website
- ❖ Plenty of time for questions and answers
- ❖ Upcoming Online FCSD Facilitator Training sessions:

**Saturday, July 18, 9:00 am and 4:00 pm Pacific**  
**Saturday, August 22, 9:00 am and 4:00 pm Pacific**

Two time slots will be offered each day to better accommodate individual schedules and our international audience.

Registration will be handled by FFI. Use [this link](#).

If you have questions about the online course content, please contact Marion Hiller, FCSD Co-Team Leader, **Email: [marionhiller069@gmail.com](mailto:marionhiller069@gmail.com)**

If you have questions about the registration process, please contact Nikki Loy, FFI Casting Coordinator, **Email: [casting@flyfishersinternational.org](mailto:casting@flyfishersinternational.org)**

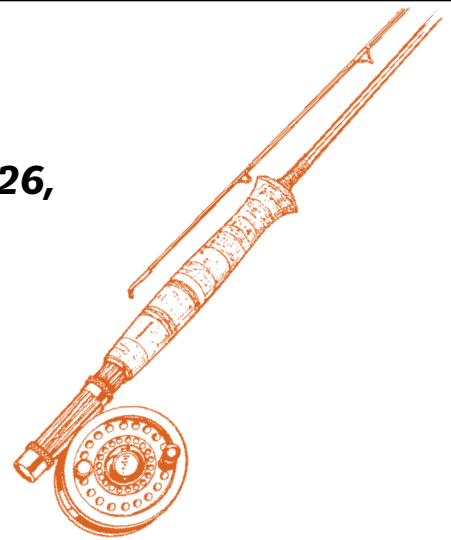
I look forward to seeing you at one of the FCSD Facilitator Training classes.

# Rod Building is Here!

**Rod Building Class Starts Tuesday, May 12, 2026, at 7:00 pm**

**EDDIE MADRID, ROD BUILDING CHAIR**

**L**earn the steps needed to build your own fly rod. This class covers the basics of component selection and techniques needed to make your own rod. While instruction focuses on fly rods, the techniques covered are applicable to regular fresh and saltwater rods too.



In addition to instruction, class participants have access to specialized building tools to help build that special heirloom rod. No tools are needed for the Orientation class. Small fee for the rod-building manual. Class is free and open to all.

This class begins Tuesday, May 12, 2026 and runs for a total of seven sessions of instruction over an eight-week period (ends on June 30, 2026). The class is limited to 12 students. To reserve a spot, or if you have any questions, contact **Eddie Madrid** (562-537-9618 or [netboy3@verizon.net](mailto:netboy3@verizon.net)).

2026-27 SPFA Hosted Trip Calendar			
Inquiries: <a href="mailto:kksdfa@gmail.com">kksdfa@gmail.com</a> or 714.475.4529			
<b>Destination</b>	<b>Missoula, Montana</b>	<b>Bighorn River, Montana</b>	<b>Argentina: Golden Dorado</b>
<b>Dates</b>	<b>April 6-11</b> <i>Wait list only</i>	<b>July 26-August 1</b> <i>Wait list only</i>	<b>November 30-December 5</b> <i>5 spots</i>
<b>Duration &amp; Cost</b>	5 nights/4 days of fishing: \$2,400	6 nights/5 days of fishing: \$3,500	5 nights/4 days of fishing: \$3,500
<b>Inclusions</b>	5-night accommodation: 2 anglers per 2-bedroom unit with a kitchen, living room, and bathroom, 4 days of guided fishing, boat lunch, flies	6-night accommodation, 5 days of guided fishing, all meals & nonalcoholic beverages, airport transfers, flies	5-night accommodation, 4 days of guided fishing, all meals & beverages, fishing license, Wi-Fi
<b>Exclusions</b>	Flights, airport transfers, meals & beverages, fishing license, guide gratuities	Flights, fishing license, guide & staff gratuities, alcoholic beverages	International flight to Buenos Aires, transfers to the lodge extra, additional lodging & meals before or after, guide & staff gratuities, flies
<b>Highlights</b>	Floating Bitterroot, Clark Fork, and Blackfoot, targeting Skwala hatch	Targeting summer hatches which may include PMDs, Black and Tan Caddis, Yellow Sallies, Hoppers, etc.	Conveniently located at the confluence of Rio Parana & Rio Corriente, anglers have access to both boat and wade fishing opportunities
<b>Destination</b>	<b>Argentina: Northern Patagonia (rev)</b>	<b>Argentina: Sea-Runs on Rio Gallegos</b>	<b>Christmas Island</b>
<b>Dates</b>	<b>December 7-14</b> <i>6 spots</i>	<b>March 6 - 13, 2027</b> <i>4 spots</i>	<b>June 15 - 22, 2027</b> <i>6 spots</i>
<b>Duration &amp; Cost</b>	7 nights/6 days of fishing: \$7,600	7 nights/6 days of fishing: \$7,600 (2026 rate) if 50% deposit is received by 4/20/26	7 nights/6 days of fishing: TBD (\$4380 is the 2026 rate)
<b>Inclusions</b>	7-night accommodation, 6 days of guided fishing, all meals & beverages, ground transportations, private water fees, fishing license, flies, Wi-Fi	7-night accommodation single occupancy, 6 days of guided fishing, all meals & beverages, airport transfer from Rio Gallegos airport, fishing license, laundry, Wi-Fi	7-night accommodation single occupancy, 6 days of guided fishing-1 guide per angler, all meals, airport transfers, Wi-Fi, laundry
<b>Exclusions</b>	International & domestic flights, guide & staff gratuities, additional lodging, meals & transportation before or after	International & domestic flights, guide & staff gratuities, additional lodging, meals & transportation before or after, flies	Honolulu and international flights, guide & staff gratuities, beverages, fishing license, flies
<b>Highlights</b>	Two lodge program to experience diverse watershed: 4 nights in an expansive Patagonian estancia with access to prime private waters, and 3 nights in a quaint traditional estancia with access to Northern Patagonia's most iconic rivers	Private access to 95km of Rio Gallegos for Sea-Run Browns within the boundaries of one of the biggest Estancias in Patagonia and 20 km of spring creeks for resident Browns eager to take big terrestrials and mouse patterns. Sea-Runs are best fished with 2-handed rods	Wade fishing the endless flats for bonefish, Giant Trevallies, and Trigger Fish, and more. Having a guide to yourself who carries your GT rod ready to go at any moment makes a huge difference in having a legitimate shot at the King of the Flats.
<b>Important: Unless noted otherwise, all prices quoted above are based on two anglers sharing a room and a guide</b>			

# Fall River Trip, June 2026

MARC BONVOULOIR, MEMBER

**F**or the sixth consecutive year, LBCC will fish the largest spring creek west of the Rockies: Fall River. More like a river than a creek, this spectacular water is located an hour northeast of Redding in the shadow of beautiful Mount Shasta. The Fall River is a 21-mile-long tributary to the Pit River. It is a designated Heritage and Wild Trout Stream. The cool clear waters of this world-class spring creek are fished from boats casting 30–40 feet downstream, with big dries or nymph rigs tempting large rainbows along the bottom.



**WHEN:** May 26–May 30. Arrive Tuesday, depart Saturday. 4 nights

**WHERE:** Circle 7 Ranch. Visit <https://www.theflyshop.com/adventures/circle7.html> to see this incredible location on the river. There are five homes on the ranch. We'll have the entire White House set up for eight members. It's the largest home on the ranch.

**WHAT:** With four bedrooms and 2.5 baths, the White House has ample room for eight members to spread out and fish all they want. Amenities include satellite TV, wi-fi, central air and sundeck with barbecue. Rental boats are available each day. We will be guided the first day (Wednesday) on the nuances of fishing from boats on a spring creek. The Fly Shop in Redding will supply four guides. Early June has major hatches of mayflies and, if we're lucky, the largest mayfly hatch, Hexagenia, will have us casting size-8 dries to ravenous fish!



**PACKAGE: \$866.44** per member includes four nights' accommodations, shared guide for full day on Wednesday, shared rental boat for two days Thursday and Friday. This price is \$1 more than last year. \$466.44 is due on March 20, payable to LBCC. \$400.00 is due April 20, payable to LBCC.

**DINNERS:** Each member will have a partner to fish with, as well as to cook with for the group of eight. At the pre-trip meeting, we will determine the meal each twosome will cook on each night. The pre-trip meeting will be May 16 at 9:00 am at the Club. Look for updates to follow. Groceries may be bought at Safeway in the town of Burney, about 20 miles before you get to the ranch. Lunch on Wednesday will be provided by the guide. Breakfast and all other lunches are on your own.

**NOTES:** Drive time from Los Angeles is 9.5 hours. Other locations to fish include Hat Creek, Pit River, Baum Lake and McCloud River.

**NOTIFICATION:** If you want to go on this trip you must let me know right away. Space is limited to eight members and I will be putting together a wait list. Phone/email: **213-369-9525**, [mrmlb21@gmail.com](mailto:mrmlb21@gmail.com).



# Not your Granny's Knots! Davy v. Clinch

COLIN KUMABE, PAST PRESIDENT

**S**maller and faster is always better than bigger and slower. Try the Double Davy Knot and the Davy Knot for the following reasons:

- ❖ Tying time about one third the time of Clinch Knot or Improved Clinch Knot.
- ❖ Reduced damage to the tippet above the knot, unlike the Clinch and Improved Clinch Knot, which rub the tippet while tightening.
- ❖ Knot strength of Double Davy Knot is “close” to strength of the Improved Clinch Knot.
- ❖ The Double Davy Knot is so small that small flies, sizes 20 and smaller, still look small after tying tippet to the knot. An Improved Clinch Knot on a size-20 dry fly looks like an extra part of the insect.

How-to videos of the knots are found at:

Davy Knot: <https://www.animatedknots.com/davy-knot>

Double Davy Knot: <https://www.animatedknots.com/double-davy-knot>

Test the strength by tying your favorite tippet to a streamer and pull until the tippet breaks. Examine the end of the tippet near the break for:

- ❖ Twist in the tippet above the knot: indicates the tippet rubbed while tightening, weakening the tippet significantly. Also, twists indicate the knot wasn't tightened properly. Be sure the knot looks like the ones in knot-tying photos.
- ❖ Slight bend near the break: indicates the knot slipped just a little before breaking.

All knots in fluorocarbon and monofilament are significantly weakened while slipping inside the knot. When tying a good Improved Clinch Knot, the tippet slides while tightening to properly seat the knot turns. Proof of sliding is evident on the tippet just above the knot. Too many anglers tie Clinch Knots without properly seating each of the six turns properly (including me).

A Double Davy Knot tightens with considerably less slide, resulting in much less damage to the tippet. Seating of the Davy and Double Davy Knots is simplified by fewer “turns”, and reduced sliding while tightening.

So, what's knot to like? Give the Double Davy Knot a try and decide for yourself. Practice your casting and see you at the Pond.



## Fly Tying Tip: Tail Measurement

DAVE BOYER, MEMBER

This tip sounds simple and like a no-brainer, but it's one that lots of us (including me) at times forget. I was watching a tie by a well-known tier and he indicated that the tail should be the length of the body. Generally, I just eyeball the length and call it good. I have developed a relatively good eye for proportions, but I can sometimes fail spectacularly.



The easiest way to get an accurate measurement is: once you have the tail material tied in (synthetics), just pull the material toward the eye of the hook and cut it just behind the hook eye (**photo**). You can even do that for tails of various proportions, such as half the body or three quarters. It's a super-easy way to get consistent lengths.



© JOANN BOSOWSKI

## Two Green River Trips Planned for 2026

***Trip 1: April 26-May 1,  
Trip 2: May 3-May 8***

COLIN KUMABE, PAST PRESIDENT

Each year, Club members fish the Green River in Utah. This is your opportunity to fish in this very productive river, set in beautiful scenery. The brown trout and rainbow trout average 16 inches, with much larger fish being very normal.

Most anglers fish two days with guides, and wade-fish with a buddy. There are lots of opportunities to nymph through productive riffles, pools and runs, cast streamers to large trout and cast dry flies to rising fish.

### **DATES:**

- ❖ Arrive April 26 and depart May 1. Trip streamkeeper is Andrew Fairbanks.
- ❖ Arrive May 3 and depart May 8. Trip streamkeeper is Colin Kumabe.

**LODGING:** \$1200 per cabin for the five nights, or \$600 per person based on double occupancy.

**GUIDES:** **Old Moe Guide Service**, cost per boat per day is \$700 (\$350 per day person double occupancy) plus tax and gratuity.

If you have questions please contact:

- ❖ First week: April 26–May 1. Andrew Fairbanks, [andrewfairbanks7@gmail.com](mailto:andrewfairbanks7@gmail.com).
- ❖ Second week: May 3–8. Colin Kumabe, [ctkumabe@gmail.com](mailto:ctkumabe@gmail.com).

# Fly of the Month: Green River Recap 2026

JOHN VAN DERHOOF; PAST PREZ & NE'ER-DO-WELL

**W**ell, another year, another report...the trip I take every year to Idaho Falls to tie, and then the Green River to fish, always has surprises—no exception this time. Last year, the fourteenth to the Green, was the first without snow since 2011. It was the first full week of April, and essentially T-shirt weather. This year, it was dang near summer in March!

I think the change in temperature is due to my purchase of a fancy pair of insulated Simms bibs. Since the purchase I have not had a chance to wear them. To all of you in Idaho and Utah who have enjoyed the warm weather: you are welcome! I am sure my purchase was the cause. I fished with Doug Roberts, owner of Old Moe, again. The temperature on Monday was high 70s and on Tuesday, at the end of the 'B' Section, was low 80s. Wednesday with Cori-Alice Holladay of Trout Creek Flies, we finished the 'A' section in the high 70s again. It did finally cool down on Thursday with 20- to 30-mph winds. Then on Friday the wind abated, but it was 32 degrees when we started in the morning. It turned into a beautiful day by the end of a 'B' Section float with Cori-Alice.

So John, how was fishin'? As it has been for years—great! I am sure many of you actually don't believe the numbers that I state in these recap articles. I know this for a fact because you ask my guides whether I do or not. I assure you that, while they are estimates, they are actually conservative. Let's start with Doug's two floats. He spent most of the winter in Colorado taking care of a bunch of personal issues. We started on Monday with a float down the 'A' Section. For those new to the Green, it is comprised of three sections: the 'A' Section starts at the Flaming Gorge Dam and flows 7 miles to Little Hole; the 'B' Section

runs from Little Hole to the Brown's Park area (think Butch Cassidy & the Hole in the Wall) and specifically Indian Campground; finally the 'C' Section runs 12 miles from Indian Campground to Swinging Bridge (in Colorado) but most guides only go to Swallow Canyon Campground. The 'A' Section is the classic Green River float through a beautiful, deep, red rock canyon.

Beautiful and loaded with fish!



We launched just below the dam and floated on an overcast but warm day. We were quite excited since this kind of weather usually means a really good Blue-Winged Olive hatch. We started off catching a bunch of smaller rainbows—holdover stockers from

last July—but we soon started getting some nice 17" to 20" rainbows and browns. One special thing happened: after 60+ years of fly fishing I finally caught my first-ever double: two fish on two flies at the same time. One of the fish was a 20" brown!

Finally, we started to see noses and backs eating on the surface and we switched to dries immediately. Two casts and two nice browns and then we spent an hour casting, presenting and not hooking a dang thing! We tried different flies, lighter tippet, better angles and drifts, but nothing. It is called "fishing" and not "catching". We did finally hook a couple of fish on dries within sight of Ramp 1 at Little Hole. The float ended with some laps between Ramp 2 and

Ramp 3, and we called it a day. Probably 40 to 45 fish caught, fought and released.

Day Two meant the 'B' Section. This is my favorite section of the river. This day proved to be as good as my previous visits. Not only did we catch a ton of fish, we saw eagles, otters, beavers, deer, elk and muskrat. Sadly, there was a persistent breeze that killed the Blue-Wing hatch but the nymphing was off the charts. Enter Cori-Alice Holladay...

I first met and floated with Cori-Alice three years ago. We floated two days in the snow and laughed our way down both the 'A' and 'B' Sections while catching a ton of fish—many on #20 and #22 midge dries. My third day was going to be an 'A' float on a beautiful but slightly breezy day. Enough breeze to stop the Blue-Wing hatch. What followed was a lot of nymphing and catching 40+ beautiful rainbows and browns along with silliness, a red-and-white checkerboard tablecloth draped over a log and lots of laughter. We do have a good time together.

Thursday was the ugly day (there's always one...) with 20-mph to 30-mph winds and much higher gusts. I went down to Little Hole on my own to do some two-handed fishin'. Unfortunately, the wind didn't keep the riff-raff away. I kept getting low-holed as I tried to swing soft hackles. One goober splashed into the water below me asking **"are you doing trout Spey? Can I watch?"** I said **"...sure, but you need to back up about 10 to 15 feet."** My fly line was literally up against his waders and if I had continued to retrieve I would have hooked him. I caught a couple of fish but the other anglers were such a pain I left and found a replay of a bicycle race to watch...

Last day in paradise and I am floating the 'B' Section with Cori-Alice. Starts with catching a bunch of fish doing laps between Ramps 2 and 3 and proceeded past Ramp 3 to Walt's Corner. There we picked off a couple of nice browns. Just beyond Walt's is T<sub>1</sub> where they filmed the opening scenes of **JEREMIAH JOHNSON**. As we floated towards T<sub>1</sub>, I hooked a 13" rainbow which was immediately attacked by a larger brown trout trying to eat it. As we landed the rainbow



the brown settled back down in about four feet of water, about 30 feet off the bank. Cori-Alice rowed back up, I placed a very short cast in line with that brown (about 23") and we both watched it turn, eat my nymph and go berserk when the hook was set. I can assure you that sight-nymphing to a specific fish is every bit as cool as watching a fish eat your dry!

Speaking of dries, after a late lunch we ran into a pod of fish midriver, eating Blue-Wings, and we took the time to catch a few. That was when we realized that it was 4:30 and we were still a mile from Red Creek Rapids, and had about four miles to go after that to get to Indian Campground and Cori-Alice's truck and trailer. Didn't mind a bit just pushing downriver, since we had probably released about 45 to 50 fish and my shoulder and wrist were dead...

Flies for this trip were quite similar to last year's. First off, they were all small: size #20 was the rule. Doug used a variety of perdigon nymphs and also a black and copper Zebra nymph, to great effect. For dries, the only dry that caught fish was mine—a variation of a Last Chance Cripple with a wood duck tail, salmon pink shuck, olive dun thread body with a chartreuse wire rib, dun grizzly hackle and BWO TriggerPoint fiber wing. With Cori the perdigon was a copper bead with a Green Polish Quill body, the same black and copper Zebra Midge as Doug's and a wine version of the same, and...drum roll please...her gray-on-gray soft hackle. It was the fly that induced the trout eatin' brown to

**"Green River Recap"...** Cont'd on page 14

**"Green River Recap"...** Cont'd from page 13

attach itself to my line. Dries? Guess what, it was the exact same Last Chance Cripple from Day One.

This was my fifteenth year in a row fishing the Green, since taking my daughter there in 2011. I will continue to go back as long as I am able to. I love the place and I love my guides. They are some of the best on the river and, much more importantly, my friends, whose company I truly enjoy.



**BROWN & EAGLE**



**BRACE OF EAGLES**



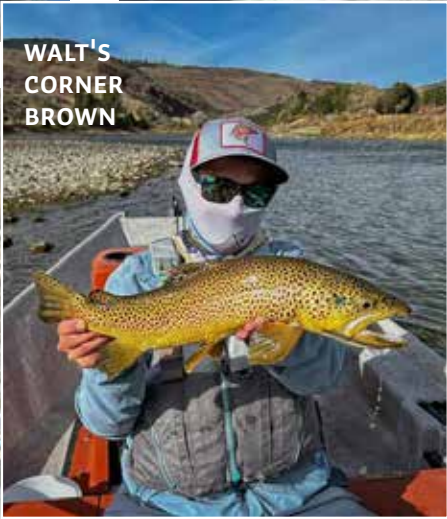
**FIRST GREEN R. CUTTY**



**HAND HELD BROWN**



**BROWN & BEAVER**



**WALT'S CORNER BROWN**



**DOUG WITH A BROWN**

# Recordings of LBCC Monthly Speakers

ROB PETERSON, TARGET TALK EDITOR

**H**ere are our recorded speaker presentations for 2022, 2023 and 2025. Just click on a link, and copy and paste the password at the prompt.

Please see the [February 2022 Target Talk](#), p. 17, for 2021 presentations.

**JANUARY 2022:** Steph Albano, [Finatical Flyfishing](#), The topic was: "Global Guide Service for Women".

[Steph Albano Presentation Jan. 27, 2022](#)  
Passcode: d9sE1\*pn

**FEBRUARY:** Glenn Ueda, [So Cal Fishing Guide](#)  
The topic was: "Planet Carp".

[Glenn Ueda Presentation February 24, 2022](#)  
Passcode: 2C!.hWQ1

**MARCH:** Ernie Gulley, [Ernie Gulley Flyfishing](#).  
The topic was: "Stillwater Tactics".

[Ernie Gulley Presentation March 31, 2022](#)  
Passcode: Ri65p6%N

**OCTOBER:** [Lance Egan](#)  
The topic was: "Newfangled Nymphing".

[Lance Egan Presentation October 27, 2022](#)  
Passcode: i?hk7fd^

**NOVEMBER:** [Charlie Craven](#)  
The Topic was: Fly Tying Demo.

[Charlie Craven Presentation Nov. 17, 2022](#)  
Passcode: C%uGCj33

**FEBRUARY 2023:** [Steve Schalla](#)  
The Topic was: "Origins of Golden Trout".  
[Steve Schalla Presentation February 23, 2023](#)  
Passcode: V?6FufM7

**JUNE:** Dave Smith, "DIY Fly Fishing New Zealand".  
[Dave Smith Presentation June 29, 2023](#)  
Passcode: B9\*xOP?T

**JULY:** Howard Uller and Art Strauss, "California Heritage Trout".  
This was not recorded, but you can access their [presentation here](#)

**MAY 2025:** Mike Pease, [Mike Pease Adventures](#), "Fly Fishing the Lost Sierra."  
To access the recording, click [here](#). Thanks and kudos to Co-Captain Mark Flo, who recorded the presentation and made it available on YouTube.

**JUNE:** Mike Peters, [Long Branch Fly Fishing](#), "Fly Fishing the Four Top Destinations in the US."  
[Mike Peters Presentation June 25, 2025](#)  
Passcode: Ame%\$L3?

**JULY:** Joe Frisch, [Wild on the Fly Fly Fishing Adventures](#), "Two short trips to fit tight schedules and tight budgets. One Fresh [Steelheading the Deschutes], One Salt [Gulf Coast Redfish]."  
[Joe Frisch Presentation July 25, 2025](#)  
Passcode: 88S+vYU#

**AUGUST:** David Dempsey, "Know Your Bugs".  
[David Dempsey Presentation August 28, 2025](#)  
Passcode: ^1Vuh76V

**SEPTEMBER:** Dan Johnson, [Trout Unlimited](#), "Proposed Protected Designation for Hot Creek"  
[Dan Johnson Presentation September 25, 2025](#)  
Passcode: 6tZ2M43&


**OCTOBER:** Rich Chiappone, "DIY Fishing in Alaska"  
[Rich Chiappone Presentation October 30, 2025](#)  
Passcode: %I&WAu9Y (audio only)

**NOVEMBER:** November was not recorded.

**JANUARY 2026:** Alicia Hamann, Friends of the Eel River  
[Alicia Hamann Presentation January 29, 2026](#)  
Passcode: U+8..cG6

## Calendar of Events


### May



2	Saturday	8:00 AM	Club Spey Cast
3	Sunday	9:00 AM	Open and Target Casting
		11:00 AM	Sunday Women's Casting Clinic
3-8	Week		Green River Trip #2 w/ Colin Kumabe
4	Monday	9:00 AM	Project Healing Waters at LBCC
		6:30 PM	Board of Directors Meeting
5	Tuesday	7:00 PM	Tuesday Night Club Cast
6	Wednesday	7:00 PM	Fly Tying Forum
7	Thursday	7:00 PM	Project Healing Waters Evening Meeting
9	Saturday	8:00 AM	Club Spey Cast
10	Sunday	9:00 AM	Open and Target Casting
		1:00 PM	Monthly Casting Lessons
11	Monday	9:00 AM	Project Healing Waters at LBCC
12	Tuesday	7:00 PM	Tuesday Night Club Cast
			Rod Building Session #1
13	Wednesday	7:00 PM	Fly Tying Forum
14	Thursday	7:00 PM	Project Healing Waters Evening Meeting
14-17			U.S. Fly Casting Team Training
16	Saturday	8:00 AM	Club Spey Cast
		9:00 AM	Pre-Trip: Fall River Trip w/M. Bonvouloir
17	Sunday	9:00 AM	Open and Target Casting
19	Tuesday	7:00 PM	Tuesday Night Club Cast
20	Wednesday	12:00 PM	Nooner Lunch
		7:00 PM	Fly Tying Forum
21	Thursday	7:00 PM	Project Healing Waters Evening Meeting
23	Saturday	8:00 AM	Club Spey Cast
24	Sunday	9:00 AM	Open and Target Casting
26	Tuesday	7:00 PM	Tuesday Night Club Cast
			Rod Building Session #2
26-30	Week		Fall River Trip w/M. Bonvouloir
27	Wednesday	7:00 PM	Fly Tying Forum
28	Thursday	7:00 PM	Monthly Meeting: Jennifer Hemmert, CDFW
29-6/1	Weekend		Heritage Trout Eagle Lake and Wolf Creek w/ Bob Mayfield
30	Saturday	8:00 AM	Club Spey Cast
31	Sunday	9:00 AM	Open and Target Casting

# Calendar of Events Cont'd.


## June



1	Monday	9:00 AM	Project Healing Waters at LBCC
		6:30 PM	Board of Directors Meeting
2	Tuesday	7:00 PM	Tuesday Night Club Cast
			Rod Building Session #3
3	Wednesday	7:00 PM	Fly Tying Forum
4	Thursday	7:00 PM	Project Healing Waters Evening Meeting
6	Saturday	8:00 AM	Club Spey Cast
7	Sunday	9:00 AM	Open and Target Casting
		11:00 AM	Sunday Women's Casting Clinic
8	Monday	9:00 AM	Project Healing Waters at LBCC
9	Tuesday	7:00 PM	Tuesday Night Club Cast
			Rod Building Session #4
10	Wednesday	7:00 PM	Fly Tying Forum
11	Thursday	7:00 PM	Project Healing Waters Evening Meeting
11-14			Fly Fishers International Casting Certification
12-14	Weekend		Heritage Trout Fish Creek, Clicks Creek w/ Bob Mayfield
13	Saturday	8:00 AM	Club Spey Cast
14	Sunday	9:00 AM	Open and Target Casting
		1:00 PM	Monthly Casting Lessons
16	Tuesday	7:00 PM	Tuesday Night Club Cast
			Rod Building Session #5
17	Wednesday	7:00 PM	Fly Tying Forum
18	Thursday	7:00 PM	Project Healing Waters Evening Meeting
20	Saturday	8:00 AM	Club Spey Cast
21	Sunday	9:00 AM	Open and Target Casting
22	Monday	9:00 AM	Project Healing Waters at LBCC
23	Tuesday	7:00 PM	Tuesday Night Club Cast
			Rod Building Session #6
24	Wednesday	7:00 PM	Fly Tying Forum
25	Thursday	7:00 PM	Monthly Meeting: Al Quatrocchi (Al "Q")
27	Saturday	8:00 AM	Club Spey Cast
28	Sunday	9:00 AM	Fun Casting Games
29	Thursday	7:00 PM	Project Healing Waters Evening Meeting
30	Tuesday	7:00 PM	Tuesday Night Club Cast
			Rod Building Session #7

## Calendar of Events Cont'd.

### July



1	Wednesday	7:00 PM	Fly Tying Forum
2	Thursday	7:00 PM	Project Healing Waters Evening Meeting
4	Saturday	8:00 AM	Club Spey Cast
5	Sunday	9:00 AM	Open and Target Casting
		11:00 AM	Sunday Women's Casting Clinic
6	Monday	9:00 AM	Project Healing Waters at LBCC
		6:30 PM	Board of Directors Meeting
7	Tuesday	7:00 PM	Tuesday Night Club Cast
8	Wednesday	7:00 PM	Fly Tying Forum
9	Thursday	7:00 PM	Project Healing Waters Evening Meeting
10-12	Weekend		Brookie Bash w/ Armando Palomares
10	Friday		Brookie Bash Tenkara Event w/ Cecil O'Dell
11	Saturday	8:00 AM	Club Spey Cast
12	Sunday	9:00 AM	Open and Target Casting
		1:00 PM	Monthly Casting Lessons
13	Monday	9:00 AM	Project Healing Waters at LBCC
14	Tuesday	7:00 PM	Tuesday Night Club Cast
15	Wednesday	7:00 PM	Fly Tying Forum
16	Thursday	7:00 PM	Project Healing Waters Evening Meeting
18	Saturday	8:00 AM	Club Spey Cast
19	Sunday	9:00 AM	Open and Target Casting
21	Tuesday	7:00 PM	Tuesday Night Club Cast
22	Wednesday	7:00 PM	Fly Tying Forum
23	Thursday	7:00 PM	Project Healing Waters Evening Meeting
25	Saturday	8:00 AM	Club Spey Cast
26	Sunday	9:00 AM	Open and Target Casting
27	Monday	9:00 AM	Project Healing Waters at LBCC
28	Tuesday	7:00 PM	Tuesday Night Club Cast
29	Wednesday	7:00 PM	Fly Tying Forum
30	Thursday	7:00 PM	Monthly Meeting: Robert Blankenship, Trout Unlimited



**For *May 2026*, our club's monthly special 20% discount will be set on the Aventik website.**

<https://aventiksports.com/collections/club-special>

It covers 10 products from fly fishing reel, fly tying vise and some accessories. Detailed info seeing following:

1. FreshStart Tenkara Rod
2. Riverbend Fly Rod
3. IM12 Nano Fly Rod
4. IM12 Nano Nymph Fly Rod
5. IM12 Switch Fly Rod
6. Wing Series Fly Reel
7. 2nd/3rd Generation High Reel Feet Center-Pin Floating Reel
8. HVCE Graphite Fly Reel
9. 081 Colorado Fly Tying Vise
10. Fishing Jacket



Whether you're looking for the latest fishing gear or accessories, this is the perfect time to upgrade your collection. Free shipping on orders over \$50, click through our website to add new items to your fishing equipment collection.

***Easy shopping, quality assurance, worry-free after-sales!***



WWW.OLDMOEGUIDESERVICE.COM • 435-885-3342



 hotel **CURRENT**

**WAYNE NAGEL**  
Hotel Manager

d 562.597.1341 x401  
f 562.597.5171  
wayne@hotelcurrent.com

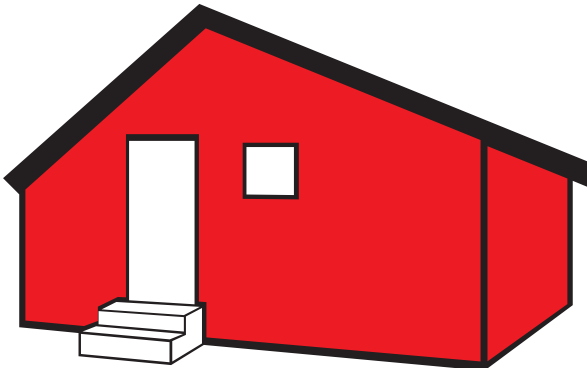
5325 e. pacific coast hwy  
long beach, ca 90804

www.hotelcurrent.com

 **FFi**

FLY FISHERS INTERNATIONAL

## JUNKYARD SPEY



[www.redshedflyshop.com](http://www.redshedflyshop.com)

**SIERRA  
PACIFIC**  
FISHING ADVENTURES

YOUR FLY FISHING DESTINATION  
& RESORT OUTFITTER

FLY FISHING EXCURSIONS • CLASSES  
PRIVATE INSTRUCTIONS

**(310) 749-6771**

3901 Brayton Ave., - Long Beach, CA 90807 - [www.spfadventures.com](http://www.spfadventures.com)